



# Wythall Radio Club

## Wythall Contest Group

G1WAC G4WAC G7WAC G0WRC M5W



[g1wac@wythallradioclub.co.uk](mailto:g1wac@wythallradioclub.co.uk)

<http://www.wythallradioclub.co.uk>

**Wythall Radio Club** meets from 8pm every Tuesday evening at Wythall House, Wythall Park, Silver Street, Wythall, B47 6LZ, near Birmingham.

Visitors are very welcome. **Wythall Radio Club** is affiliated to the Radio Society of Great Britain

### Officers

Chairman: Martin G8VXX  
Secretary: Chris G0EYO  
Treasurer: David G0ICJ

### Committee -

Chris G6KMQ Dep Chairman  
Vaughan M0VRR Web Site  
Team Leader and Child Protection officer  
Lee G0MTN Contest Liaison  
Peter M5DUO Antenna maintenance.  
Mike G4VPD  
Jim 2E0BLP  
Mel M0MAJ

### Chairman's Message

Hi all

Another year ... well almost since I took on the job of Chairman at the last AGM. This year is on 7th Oct and while we are putting dates in the forefront here are some more for you all. Hanbury steam fair is on the weekend of 12/13th Sept help will be needed for this event contact Darren. All you M3's out there intermediate classes start on Tuesday 16th Sept. speak to Chris G0EYO if you want to register for this course. Our yearly shooting (clay pigeon) event takes place this year on 12th Oct. This has been great fun over the last few years we have run this event. Xmas party is on 21st Nov this year nice and early so as to try not to clash with people works do's. I regret that I will not be able to attend some of these as my P A hire activities are now taking up a number of weekends. I am particularly looking forward to Ian's G8PWE talk on D-star on 4th Nov. Hope to see you all there.

Martin G8VXX

## Newsletter

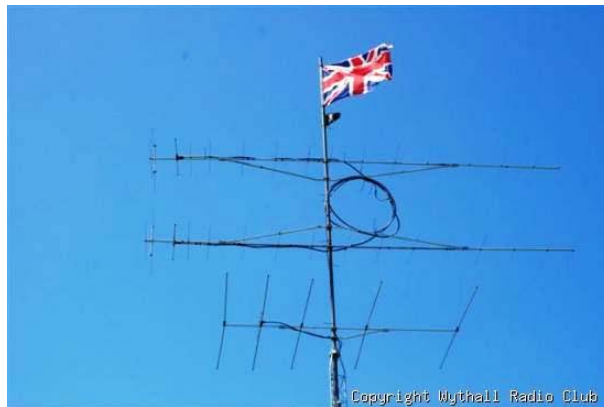
### September-October 2008

### VHF NFD, Wet Windy but great fun

HF National Field Day has been a traditional part of the Wythall Radio Club calendar for perhaps 20 years. My own first memories are of a short Saturday evening visit in the pouring rain, whilst I was still a student. In those days everyone was under canvas, and there was a dogged determination to carry on despite the weather. The first VHF NFD entries that the club mounted were in the low power section, with single antennas placed on sectional masts. I remember doing a little operating on 144 MHz that year, whilst the main operator took a break for some fish and chips which had also just arrived on site.

Seven or eight years go, I acquired a 100 foot mobile Versatower on behalf of the club. With the extra height now easily available, we moved up to the Open section on some bands. We placed 23cms, 70cms and 144 MHz antennas on top of the mast in different years. We experimented with putting antennas for multiple bands on the tower, with different amounts of success. Sometimes there was interaction, and other times there weren't.

With antennas at height, we also experimented with High Power activity. This combination of height +



Copyright Wythall Radio Club

For 2008, the plan was to use the Versatower, put 2 x 17 elements yagis for 144 MHz on top, and also the 5 element 6 metre yagi. We'd just run the 2 bands in the Open section. Chris G6KMQ agreed to loan us his IC910H for 2 metres, and his new pride and joy IC7700 for 6 metres. As the 6

power gave us our biggest ever QSO totals, but relative to our competitors, we often found ourselves going backwards in the results tables. In the low power section, our competitors were usually other common or garden radio clubs, also operating from local parks or nearby hilltops. In the Open section, we were more likely to encounter die hard contest groups, running very competitive stations from the best VHF/UHF sites around the UK. But we didn't care so much – as long as we logged as many QSOs as we could, enjoyed the company of our club members at our annual 'fresh air social' and summer barbecue. If the great British summertime would allow we might even enjoy the weather.

metre section was only for the first 8 hours, we could also play on HF using the IC7700 and the club window on the Sunday. After some deliberation, we took the decision to lift Dale G3XBY's big 2m amplifier from the shack. This was not taken lightly – the winding stairs into the shack were not designed with transporting large weights in mind. I missed witnessing this, but gather we owe Martin G7WBX a pint!

In the planning stages, the usual field was booked with Alan from the club. Vaughan, David ICJ, Mel and myself spent a couple of hours on a Saturday morning checking over the Versatower, which had not been used in over a year due to the

previous year's VHF NFD being abandoned due to the extremely wet weather. I loaded up the latest version of the SDV contest software on my laptop, and one of the new lottery funded club laptops. I also made sure we had not somehow misplaced



Copyright Wythall Radio Club

# Bench CW Oscillator and Amplifier

Another exciting project  
from Barry's Bench



which is configured as a summing buffer (a simple two channel mixer); the other input is connected to the output of the code oscillator via a pre-set pot. Note all of the op amps are DC coupled to each other. From here the signals are passed to the audio power amplifier (LM380) via a DC blocking capacitor and the volume control.

Transistor Tr3 and its associated components form a simple peak detector. Only three of the four op amps in the LM324 have been used, the spare one could if you wanted be configured as a comparator and used a peak detector thus eliminating Tr3.

Described here is a simple code practice oscillator with a bench audio amplifier combined. Often is the case when experimenting with homebrew receiver circuits a ready made audio amplifier saves time when it comes to trying the receiver. An added Brucey bonus is the 12 volt power output available on the front of the unit to supply the circuit under test. Audio power output is approximately 1.5 watts.

There is nothing new about the code oscillator; this was posted to the list some time ago, however there was no facility for using the audio amplifier (which was fixed



gain) and PSU.

The audio input has a switchable hi / lo impedance (220K and 10K) and three gain settings, x1, x10 and x100 for versatility. The x100 and low impedance setting is useful for checking dynamic microphones, x100 and high impedance is good for low level outputs without loading the source (crystal set anybody?). The x10 and x1 can be used with higher output sources up to 0dB thereabouts. A simple peak detector has been included to give an indication when the output stage is near full tilt.

Looking at the circuit, audio input is applied to the first op amp which is configured as a unity gain buffer, SW1 and R1, R2 set the input impedance. The signal then passes to the second op amp which is configured as a non inverting gain stage; the gain is adjustable via the switch and resistor network in its feedback path. The output from this stage is then fed to the third op amp

## Construction

I built mine on a small PCB, veroboard would also be fine. A screened lead should be used for the connection from the



phono socket to the board, likewise the volume control, also keep the wires going to the impedance and gain switches as short as possible. All of the parts used came from my junk box. The unit was mounted in a scrap loudspeaker cabinet from my daughter's old stereo. Ideally the regulator IC (7812) should be mounted on a small heatsink.

## Parts

No difficulty should be experienced in obtaining the parts, Maplin, Mode components etc will be able to supply. All resistors are half watt at 10 percent tolerance. Capacitors are 16 volt plus rating except for the PSU reservoir cap which should be 25 volt plus. Any trans-



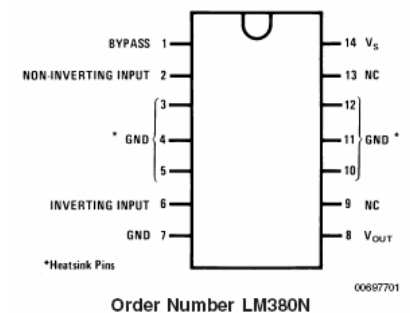
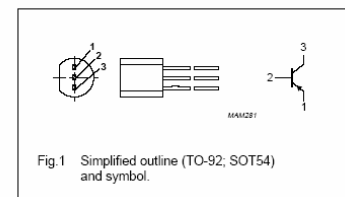
former with a secondary of 12 - 15 volts ac at one amp or more will be fine for the PSU. None of the components are critical, if a 10K resistor is stated and you don't have one try a 8.2K or 12K etc, if in doubt ask.

Note

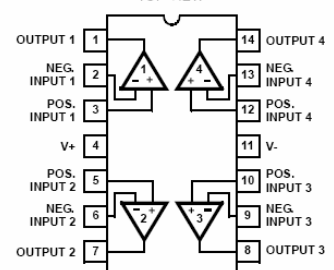
Some of you may be thinking the high impedance setting is ideally suited for connection to valved equipment, this is true providing you change the input coupling capacitor to one of a suitable voltage rating, if your valved equipment has a HT of 250 Volts then use a coupling capacitor of at least this voltage rating (also, it would not need to be any greater than 47nf due to the high input impedance).

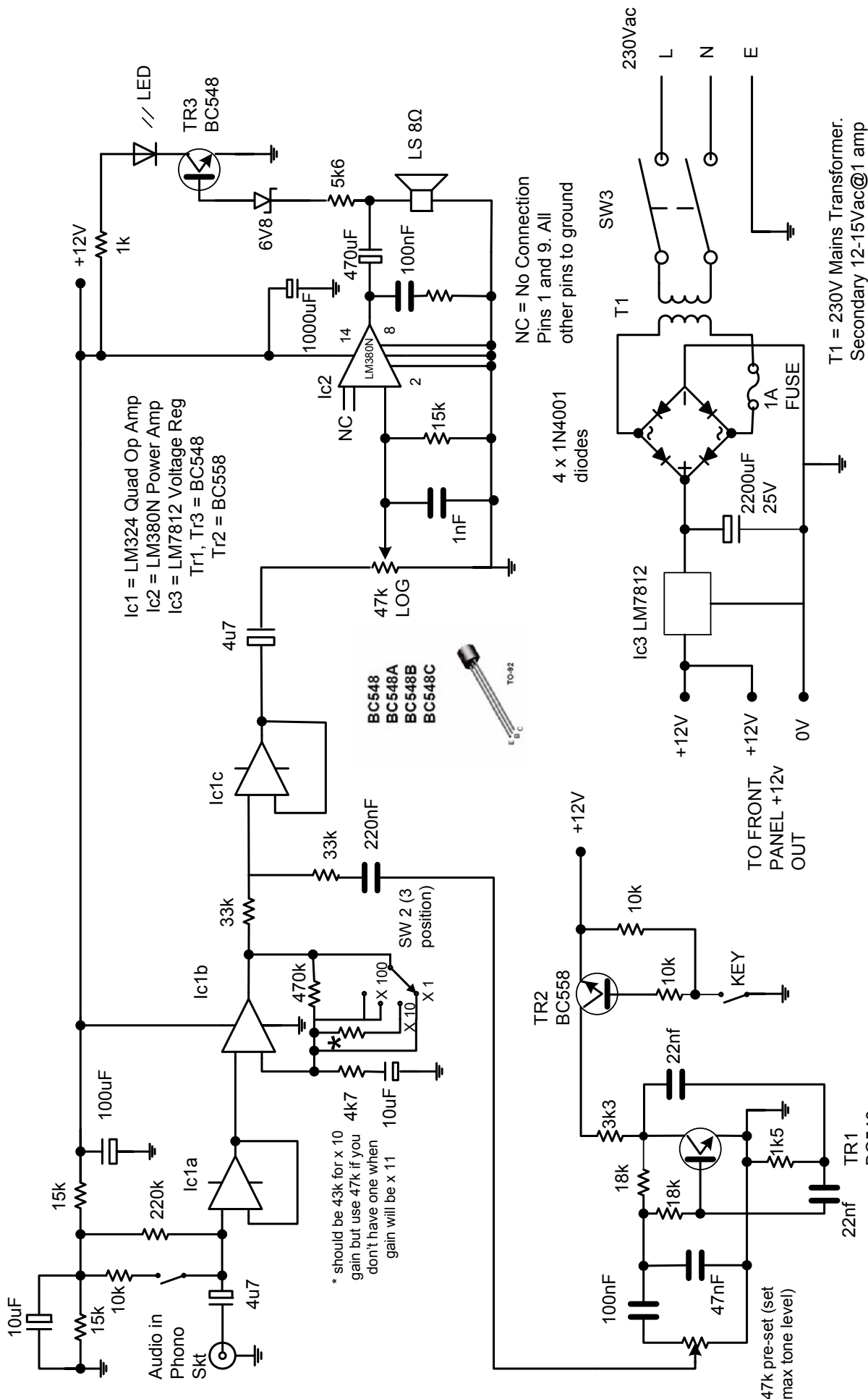
Regards, Barry M0DGQ.

PIN	DESCRIPTION
1	emitter
2	base
3	collector



CA124, CA224, CA324, LM2902 (PDIP, SOIC)  
LM324 (PDIP)  
TOP VIEW





BENCH AMPLIFIER AND CW OSCILLATOR by Barry M0DGG

Drawn by G0EYO

# VHF NFD continued



any rolls of coax, or parts of antennas in the last year or so. Chris G0EYO organised the barbecue, with Mike, Anita and others helping to cook it on the weekend itself.

Chris G0EYO was hoping we would be able to mount a competitive entry this year. In an attempt to improve interest I placed the operating rota on the Internet, easily accessible via the club's website for all to see. The operating and logging slots were slowly filled up, although we still had a few day-time gaps, and no confirmed overnight operators.

On the Tuesday before the VHF NFD weekend, we had a review meeting to double check everyone responsible for a critical part of the operation e.g. logistics, power, lighting, food, knew what they had to do. Also, due to the lack of a VHF NFD in 2007, many of us had forgotten how it all comes together, and others had never been to a Field Day before. So the pictorial reminder of field days from previous years was hopefully as much useful as it was a stroll down memory lane. The session concluded with some QSO targets for the two bands, and a training session on SDV.

For our keenest campers, Field Day started on Friday evening. We had to share our booked field with a group of junior football-

ers, but we managed to co-exist without too many troubles. On the Saturday morning at 9 a.m., a group of us met at the club to load up Martin's van with some of the bulky items from the shack. Many hands did make light work, and it was not long before we were on the field.

We split into teams – some

working on the Versatower and unravelling its guy ropes, and others working on assembling the 3 yagi antennas. Due to reports of gusts up to 40 mph over the weekend, the Versatower was left at around the 60 to 70 foot mark. It stayed dry, everything went well, and the outside setup was complete by around 1pm. The shack setup went next. The only problems were that there was only just enough room on the bench for Chris G6KMQ's massive IC7700, I'd forgotten to bring enough headphone adapters which necessitated the traditional last minute visit to the shack, and we'd encroached on Chris G0EYO's kitchen area which had cooked up some much needed bacon sarnies for lunch.

At 3pm local time the contest began. 2 metres was 'slow and steady', with a feeling perhaps we should be using extra receive pre-amplifiers. 6 metres was fairing better, with some Sporadic E propagation extending from Scandinavia to North Africa. We had some local competition from "Team Callum", who were operating from a much better site. It certainly kept us motivated to keep calling. Thanks are due to club members we don't see very often but made the effort to be with us over the weekend – for example Les M0COK, and Darren GW7HOC who came up from Cardiff with Phillip, despite Carol being on assignment in Malawi.

Over 40 club members, and their families and friends had indicated they would visit for the evening barbecue. Unfortunately it was just after

the barbecue was lit that the heavens opened, which put a very literal dampener on proceedings. The last minute decision to purchase a large gazebo saved the party from being a washout (thanks Martin G8VXX!) Nevertheless, dozens of sausages and burgers were cooked and consumed by our visitors, and we also enjoyed the Wythall NFD cake, expertly decorated by Joan, Mel's wife.

By around 11pm, the last of the partygoers had gone home, and the campers with families had also retired to bed. The 6m section had just ended, and it was very slow going on 2m. We decided to close down for the night. We must all be getting old – we'd never gone



QRT quite so early before. Still, this meant we could get some rest before the scheduled start up time in the morning.

Unfortunately, due to a misunderstanding between clock time and UTC in the rota, there was already a posse of operators wait-



## VHF NFD continued

ing to go when I arrived back on site to boot up the PCs. The guys had already worked everything out and were making a few QSOs. I had a play with the IC7700 built in RTTY interface and worked over 100 stations in an HF RTTY contest, just by plugging in a USB keyboard into the front panel.

Later on Sunday morning the 144 MHz Backpackers contest began, which gave us much needed boost in our contact rate. Even so, with around 30 minutes left before the official end of the contest, we decided to pack up. Despite taking hours to set up the previous day, it seemed like the tower was wound down and the antennas broken apart in minutes. It wasn't quite fast enough though – twice we were forced to take refuge under the gazebo, or in our cars, as a heavy rain / hail shower passed overhead. Most of the equipment had been packed away dry, so we weren't too disturbed by this.

Then after the final unloading at the shack, and once more carefully transporting the lin-

ear, we were able to drive home with another enjoyable Field Day behind us. Thanks to everyone that attended, and/or helped out in some way - there are too many of you to name individually. Thanks to everyone that attended, and/or helped out in some way - there are too many of you to name individually.

Scores....

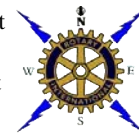
50 MHz:  
G4WAC/P  
104 QSOs, 59,166 km  
Best DX : YU1HFG in KN12FT, 2098 Km

144 MHz:  
G1WAC/P  
146 QSOs, 19,111 km  
Best DX : DK5EZ in JO31MG, 625 Km

Lee G0MTN

## Rotary International NEC Event in 2009

Each year the Rotarians hold an international convention somewhere in the world. This year it was in Los Angeles and next year, the 100th convention, is planned to be in Birmingham, at the NEC. A group called the Rotarians of Amateur Radio (ROAR) contacted us to help them put up a demonstration station. The event runs from the 21st (Sun – the registra- see if we can up a demonstra- tion station. The event runs to 24th June Thursday) but tion takes place over the weekend, 20th and 21st so it is thought the station would operate from Saturday to Sunday to Monday. We have had a visit from John G3JJR (Wolverhampton) and told him what facilities we could place at their disposal (trailer tower, Caravan, Feeder etc).



This would be good publicity for the club so watch this space for further developments.

## SP/G0MTN Holiday for WARC

I spent a week in Poland for my summer holiday this year in late July with Sylwia. Most of the visit would be at a summer cottage in the countryside, which gave the possibility of making a few QSOs. I took my FT817, mini laptop, and a collapsible 7m fishing pole to which I attached a 20m and a 40m dipole. When testing this at home I found the best match was possible when taking the 20m elements in a different direction to the 40m ones. This would be simpler than trying to add spreaders to separate the antennas.

The airline small print did say they would



transport fishing poles free of charge, but there was a degree of apprehension whether it would arrive in one piece. It did, although missing the stops at both ends I could understand the pole being opened up to look at the contents, but was there really no time to put the end back in to prevent the risk of break-age?

The antenna was set up at the cottage, tucked away where it was not really seen and would cause no problems. The very ends of these fishing poles are quite thin, so I attached the dipole centre at around the 5 to 6 metre mark. With 5 watts there would be only a small risk of TVI too. My initial operating efforts in the week were a little disappointing. The HF bands were quite empty. A couple of loud stations were running a pileup, but not fast enough that my signal would get through. I called some other stations but they didn't hear me. So I was surprised that a CQ call actually brought some replies. The dipoles were a perfect match on 20m and 40m, but also worked reasonably well on 10m, 12m and 15m too.

I spent most time on air during the weekend IOTA contest, where there was high activity, and some good propagation on 15m and even 10m. The island stations normally had a pileup, which made it more difficult to break through. The non-island stations, especially the nearby ones like Russia, Ukraine and Germany, were the easiest. I did work a number of the UK IOTA contest groups, and heard (but didn't work) stations in Japan and the USA.

I guess I could have made many more QSOs in the contest, but I was trying to juggle meeting Sylwia's friends and family at a weekend barbecue party. With the antennas a little higher, and a little more power, I'm sure I

would have been far more competitive. I didn't attempt any skeds with club members in the end, as I was finding that only the loudest of UK stations were able to hear me during the contest.

Final tally:

101 IOTA contest QSOs (12 hour mixed mode section), plus 20 others made before the contest. 30 DXCC entities. All 5 watts CW or SSB.

Lee G0MTN



## GB0ESF Evesham Steam Fair Special Event

Chris G0EYO and I had a great weekend at the Evesham Steam fair. We even got some sunshine on Sunday. Not having the caravan or much support from club members we decided to keep it simple with the club's FT847 on 20m with a simple cut dipole and Darren's FT7800 on 2m. We used Winlog



for logging. The weather on Saturday was pretty lousy, but by far the biggest problem we suffered was "Victory", Europe's largest mobile fairground organ. It's very new, less than 10 years old. It's computer controlled and can synchronise with it's smaller sister "The Locomotion", as well as a video system too.

This pair of large and loud machines were situated right next to us at the special event station.

Below is a link to a video showing just how close and loud these machines were. Actually, this video only has "Victory" playing.

An entertaining thing happened on the Sunday morning. Chris EYO was talking to a

German on 20m. The smaller organ was playing. This organ ended it's tune and then Victory started up, full blast playing the Dam Buster's theme... Every note could be clearly heard over the air. Our DL took it in good stead though.

Anyhow, here's the link to the video.  
<http://s162.photobucket.com/albums/t262/dazcaz/?action=view&current=organ.flv>

Darren GW7HOC

PS Chris EYO puts up the wrong banner but doesn't realize it. Bless him



## G4VPD's DXpedition to EA5

While I was in Spain on a mini Dxpedition but without the DX, I visited the Pedraguer radio club EA5URP near Javia, Alicante. This is located about 15 minutes drive from my friends villa, on the nearest highpoint. There are much higher mountains than the one where the club is located.

It was hoped, after a phone call to EA5CW who speaks English, that he would meet me at the club to introduce me to whoever turned up for the Sunday morning club meeting. However family commitments prevented him from coming so I was on my own. I knocked on the club room door to be invited in ( in Spanish), I then introduced my self by name and callsign (again in Spanish) and then asked if any of the

group spoke English. I was met with a firm NO! Gulp. OK I have just finished my 3rd year at night school so I thought what the heck. This is a perfect time to practice my Spanish as I had to communicate solely in Spanish to ask questions and answer those that were asked of me.

I managed to operate the club radio, but conditions were still appalling on the propagation front, and only made 2 contacts before calling it a day and then move on to demonstrating my portable station to the club members. This was the first time they had ever held an FT817, and couldn't believe what was crammed into such a small radio. Carl's WonderPole also gained their interest as they had never seen such a small portable antenna.

Well it was a great experience to meet the 4 EA5 amateurs and to make new friends, and only speak Spanish for the 2 hour duration of my visit. On leaving they were eagerly inviting me back to the next club meeting,



pointing at the calendar to ensure I knew when, but I had to decline and explain that I was only on holiday and not living nearby, much to their disappointment.

The club has a membership of 45 from the surrounding area's and meet every other Sunday (if I understood correctly) Club members visiting the area (Roy G0HDF take note) are most welcome to drop in.

Just a shame that the bands were not open and I could have out DX'd them (he he)

Mike G4VPD



## Club Diary

Tuesday	12th August	Committee Meeting
Tuesday	19th August	Natter night
Tuesday	26th August	Using a Spectrum Analyser - practical demonstration by Chris G0EYO
Tuesday	2nd September	Talk by Vaughan M0VRR on Echo Link Repeaters and Club Contest 2m
Tuesday	9th September	Committee Meeting
Fri/Sat/Sun	12/13/14th	Hanbury Steam Fair Special Event GBOHSF
Tuesday	16th September	INTERMEDIATE Course starts week 1
Tuesday	23rd September	Intermediate class week 2
Tuesday	30th September	Intermediate class week 3
Tuesday	7th October	<b>Annual General Meeting, Board Room, Wythall House 8.30pm</b>
Friday	10th October	Intermediate class week 4
Sunday	12th October	Lord Pettitt's Shooting Party
Tuesday	14th October	Committee Meeting
Friday	17th October	Intermediate class week 5
Tuesday	21st October	Intermediate class week 6
Tuesday	28th October	Intermediate class week 7
Tuesday	4th November	Talk on D Star repeaters by Ian G8PWE (to be confirmed) and Club Contest 2m
Friday	7th November	Intermediate class week 8
Tuesday	11th November	Committee Meeting
Friday	14th November	Intermediate class week 9
Tuesday	18th November	INTERMEDIATE EXAM
Friday	21st November	<b>WRC Xmas Party, Britannia Room 7.30pm onwards</b>

## How I became a radio amateur: G0EYO

It occurred to me that some of you might be interested in how members became radio amateur operators. I have started this series off with my own experiences. Other reminiscences from members for future newsletters would be most welcome.

I became a short wave listener when I was 11 when my pal David got an R208 'sputnik special' which covered 10-60MHz and was an ex-WW2 receiver used on anti-aircraft placements. Eventually I purchased this off him for £5 with the help of a cash gift from my grandmother. Many happy hours were spent on this receiver and I clearly remember receiving my first QSL card from an Italian station which showed him and his XYL in his radio shack with a large steering wheel in the roof which obviously turned a beam somewhere. I eventually ruined this receiver by trying to replace the grey painted front panel with an aluminium one. However I had got the bug and when a poster in the school library advertised for radio operators with the Composite Signals Organisation I applied and eventually got the job and was sent to Bletchley Park for training. I was sixteen then and it was my first time away from home. It was the start of my career in radio. We trained on HRO receivers, AR88s and finally got to work on the (then) new Racal RA17. It was the start of my career in radio. Some 21 years later I found myself running the Eddystone Radio Company in Birmingham and my interest in ham radio was re-

awakened by a visit to our German agent Hans DJ3DB who had a fantastic shack in Hamburg. Within a month I was enrolled on an RAE course at the local school under the tuition of Gil G3LBS and gained the call-sign G1RHG. Encouraged by Dale G3XBY who also worked at Eddystone by the loan of a Trio 9000, my first QSO was with Terry G1MEE who was a member of my local radio club. In fact they invited me to give a talk on a new Eddystone receiver and after that I joined them. After a year or so I took the morse test and became G0EYO. My current set up is a Yaesu FT847 with Auto ATU and I have a vertical Cushcraft A7 for 10-80m, a home brew 3 el yagi for 10m a 5 el Tonna for 6m and a 12 el DL6WU yagi for 2m. I take part in some of the contests but wouldn't call myself a contest operator. 2m Fox hunts and special event stations are another interest. The mast used is a pump up SCAM mast which can extend to 30ft and retract to about 10ft. I had to fight hard to get planning permission for this mast and eventually won on appeal.

73s Chris G0EYO



## Flood Damage in Radio Shack

During one of the heavy overnight downpours in early August, the cellar flooded and the pump failed to kick in. As a consequence we had about 1 foot of standing water in the club shack and classroom. We have lost the clubs collection of QSL cards and some books that had been donated to us. G0EYO's oscilloscope also suffered terminal damage. For some unexplained reason the club's new printer which was on a table in the radio room also got soaked and probably will not work again. The last few weeks have been spent drying out the radio room wooden floor and carpet and we hope to be back in the shack by the time you read this. The house have now fitted a purpose designed sump pump which should be more reliable. The experience re-inforces the unwritten rule that you never, ever leave equipment or paperwork at floor level in the shack or classroom.

## Mysterious 10m Beacons

Anyone who has been listening on the 10m band for any propagation, may just have heard some beacons which give out a two-letter CW code every 60 or 90 secs. It turns out that these are low power beacons operating between 28.006 and 28.460MHz used to enable Spanish fisherman to identify their driftnets. They would seem to be illegal. Google IARU and DK20M to find out more.



## Contest Group Report

Elsewhere in the newsletter you'll find a writeup of VHF NFD, which was the club's biggest foray into contesting during the year. As we leave the summer behind, the HF contest season starts to pick up, with more big events in the calendar.

This autumn it's the 50<sup>th</sup> anniversary of Scandinavian Activity Contest. There are special certificates available for working upwards of 50 Scandinavians over the weekend. This shouldn't be too hard at all from the UK – why not give it a try?

This autumn, the RSGB are organising short 30 minute weekday Sprint contests, in a very simi-

lar manner to the 80m Club Championships. I hope some of you will give them a go.

HF

6-7 Sep SSB Field Day  
13-14 Sep Worked All Europe  
SSB  
20-21 Sep Scandinavian Activity Contest (CW)  
27-28 Sep Scandinavian Activity Contest (SSB)  
27-28 Sep CQ WW DX RTTY  
4 Oct EU Sprint SSB  
5 Oct RSGB 21/28 MHz  
11 Oct Makrothen RTTY  
11 Oct EU Sprint CW

18-19 Oct  
25-26 Oct

JARTS RTTY  
CQ WW DX SSB

VHF

2 Sep 144 MHz UKAC  
6-7 Sep 144 MHz Trophy  
7 Sep 5<sup>th</sup> 144 MHz Backpackers  
4-5 Oct 432 MHz + up  
7 Oct 144 MHz UKAC  
12 Oct 2<sup>nd</sup> 50 MHz

Rules & Info:

HF: <http://www.rsgbhfcc.org>  
<http://www.sk3be.se/contest>

### Notice of Annual General Meeting of Wythall Radio Club and Wythall Contest Group Tuesday 7<sup>th</sup> October 2008 at Board Room, Wythall House, Silver Street, Wythall commencing at 8.30pm AGENDA

1. Appointment of Minute Secretary
2. Apologies for absence
3. Proxy's Received ( **if you wish for a proxy form contact the secretary below**)
4. Acceptance of minutes of 2007 meeting
5. Matters arising from 2007 minutes
6. Chairman's Report
7. Treasurer's Report
8. Secretary's Report
9. Matters arising and acceptance
10. Constitutional issues proposed (**notice must be given to the committee of any proposed changes 7 days before AGM**)
11. Election of Chairman,
12. Election of Treasurer
13. Election of Secretary
14. Election of Committee
15. Appointment of Auditors
16. AGM of Wythall Contest Group

Issued by Chris Pettitt, Secretary Wythall Radio Club

Contact details 07710 412 819 or [g0eyo@blueyonder.co.uk](mailto:g0eyo@blueyonder.co.uk)

## Xmas Social 21st November



The Club's Xmas Social will be on November 21st starting at 7.30pm in the Britannia Room at Wythall House. In previous years we have had Skittles, Horse Racing, A Quiz, Raffles etc. Suggestions thus far have been Bingo, Darts, Pool or a combination of all of these. Whatever we do, we need members and their families to come along. There will be a bar and as far as food is concerned the American Supper idea has proved popular over the years. So make a note in your diary and let G0EYO know if you are planning to come along and how many in your party. Also if you have any suggestions as to what you would like to do and what you wouldn't like to do then let him know that as well



The next issue of the Wythall Radio Club Newsletter will be published at the beginning of November 2008

Editor: Chris Pettitt G0EYO, 23 Dark Lane, Hollywood, Birmingham, B47 5BS. Phone: 07710 412 819, E-mail: [g0eyo@blueyonder.co.uk](mailto:g0eyo@blueyonder.co.uk)